

Type: _____

Model: _____

Project: _____

SPECIFICATION SHEET

MODEL: Tribeca

SPECIFICATIONS

HOUSING:

Cast brass with weathered brass finish. Threaded cap with O-rings.

SOCKET/LAMP HOLDER:

Two fixed ceramic bi-pin sockets with stainless steel retaining springs.

LENS:

Clear tempered glass convex lenses.

LAMP TYPE:

Two 12V MR16s. Matching LEDs recommended. 35W maximum.

MOUNTING:

Mounts to standard electrical box with screws.

WIRING:

Prewired with 5' pigtail of 18/2 cable.

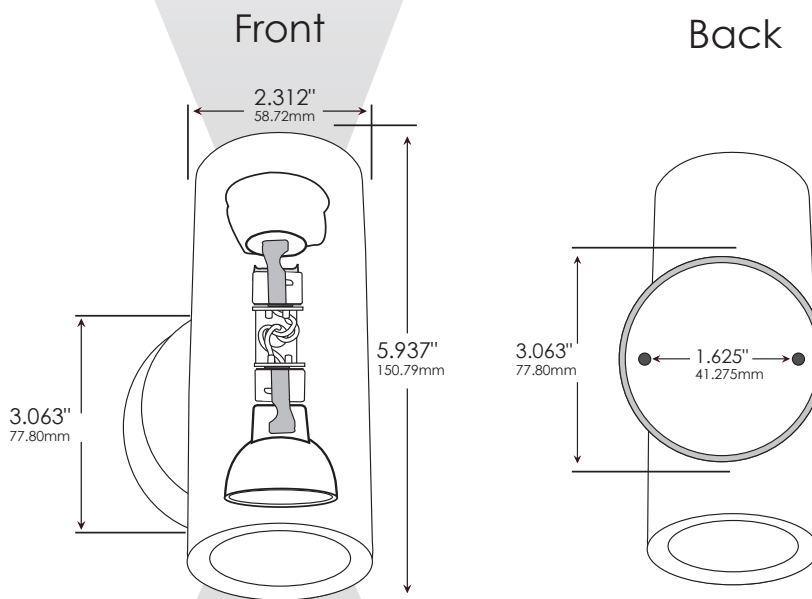
WARRANTY:

Lifetime.



The cast brass Tribeca up-and-down wall sconce utilizes two MR16 LED lamps to provide a wide range of effects. By choosing the desired lamp options, you can set the intensity, warmth (from moonlight to firelight), and beam coverage (from 15° to 100°).

DIMENSIONS:



LED LAMP SPECIFICATIONS

LAMP TYPE:

Two 12V MR16 UL-listed (E353116) lamps with 5-year warranty, dimmable, and suitable for enclosed luminaires.

OPTICS:

Integral optics providing available beam spreads from 15° to 40°.

COLOR TEMPERATURES:

Color temperature options provide the following qualities: 2700K=ultra-warm; 3000K=warm white; 4000K=neutral white; and 5000K=cool white. Decorative color light options include amber, blue, green, and red.



FITTURE	LAMP		
	WATTAGE	BEAM SPREAD	COLOR TEMP.
Tribeca	2W	25° / 40°	2700K / 3000K
	4W	15° / 25° / 40°	2700K / 3000K
	5W	15° / 25° / 40°	2700K / 3000K
		25°	Amber / Blue / Green / Red
	6W	25° / 40°	2700K / 3000K
	7W	25° / 40°	2700K / 3000K / 4000K / 5000K